



# EXOTUF Filter

*Superior strength and dependability*

Designed to cope with the cyclic pressures of the modern day swimming pool, Exotuf filter vessels are precision injection moulded for superior strength and dependability.

Exotuf filters are ideal for pools equipped with in floor cleaning systems and high powered pumps.

- Granular media filtration
- Multiport valve for ease of use
- Pressure rated at 350 kPa
- Corrosion and UV resistant



## Superior Strength

Exotuf filters are considered one of the strongest filters within its class. Its filter vessel is precision injection moulded within minimal tolerances for enhanced structural strength.

Pressure rated at 350 kPa, Exotuf filters are ideal for pools equipped with in floor cleaning systems and high powered pumps.



Multiport valve with ergonomic handle and quick connect barrel unions

Clear sight glass for backwash inspection

Pressure gauge to determine the filter's capacity

Multiport valve clamp provides 360° orientation of the Multiport valve for simple installation and service

UV and corrosion resistant

Hydraulically balanced flow distribution, to maximise filtration and backwashing

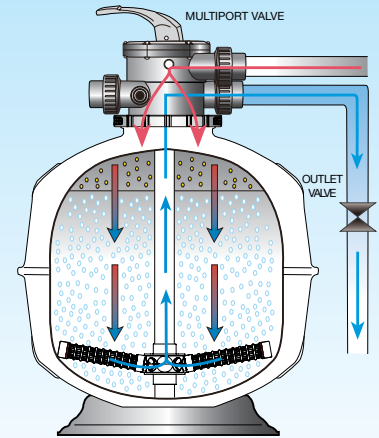
Large filter base for stable floor mounting

Maximum working temperature of 50°C

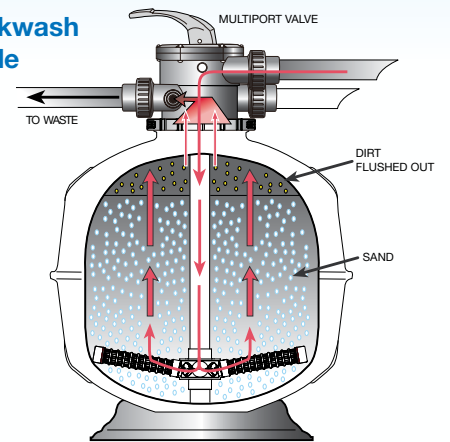
## Ease of Maintenance

Cleansing the filter simply requires turning the filter's multiport lever from the "filter" position to the "backwash" position, which reverses the flow of water in the filter, flushing the filter bed.

### Filter Mode



### Backwash Mode



## Technical Specification

Model No.	Valve Size (mm)	Inner Dia. (mm)	Filter Area (sq.m <sup>2</sup> )	Bed Depth (mm)	Max. Flow* (lpm)	Max. Pool Size (litres)	Min. Backwash (lpm)	Media Volume (litres)	Glass Pearl (kg)	Sand 16/30 (kg)	Zeolite 1 - 2.2 (kg)
E500	40	500	0.20	250	157	56,500	131	62	100	90	75
E600	40	600	0.28	250	226	81,000	189	89	144	130	107

## Dimension (mm)

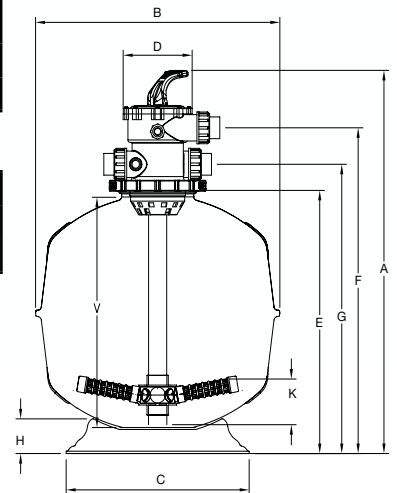
Model	Valve Size	A	B	C	D	E	F	G	H	V	K
E500	40	905	550	484	182	618	762	671	88	522	108
E600	40	942	650	484	182	655	799	708	88	560	115

Residential flow rate based on a velocity of 48m<sup>3</sup>/hr/m<sup>2</sup>. Max. pool size is based on a 6hr turnover.

## Warranty

Exotuf Filters	10 Years (conditional)
Filter Tank	10 Years
Multi Port Valve & Other components	1 Year
Labour	1 Year

Please refer to Waterco's warranty terms and conditions



### OFFICES - AUSTRALIA

NSW - Sydney (Head Office)  
Tel: +61 2 9898 8600

QLD - Brisbane  
Tel: +61 7 3299 9900

VIC/TAS - Melbourne  
Tel: +61 3 9764 1211

WA - Perth  
Tel: +61 8 9273 1900

SA/NT - Adelaide  
Tel: +61 8 8244 6000

ACT Distribution  
Tel: +61 2 6280 6476

### OFFICES - OVERSEAS

Waterco (Europe) Limited  
Sittingbourne, Kent, UK  
Tel: +44 (0) 1795 521 733

Waterco (USA) Inc  
Augusta, Georgia, USA  
Tel: +1 706 793 7291

Waterco Canada  
Longueuil, Quebec, Canada  
Tel: +1 450 748 1421

Waterco (NZ) Limited  
Auckland, New Zealand  
Tel: +64 9 525 7570

Waterco (C) Limited  
Guangzhou, China  
Tel: +86 20 3222 2180

Waterco (Far East) Sdn Bhd  
Selangor, Malaysia  
Tel: +60 3 6145 6000

PT Waterco Indonesia  
Jakarta, Indonesia  
Tel: +62 21 4585 1481

Waterco Singapore Int'l Pte Ltd  
Nehsons Building, Singapore  
Tel: +65 6344 2378

Waterco France  
SAINT PRIEST, France.  
Tel: +33 4 72 79 33 30

## DISTRIBUTED BY:

**WATERCO**  
water, the liquid of life

